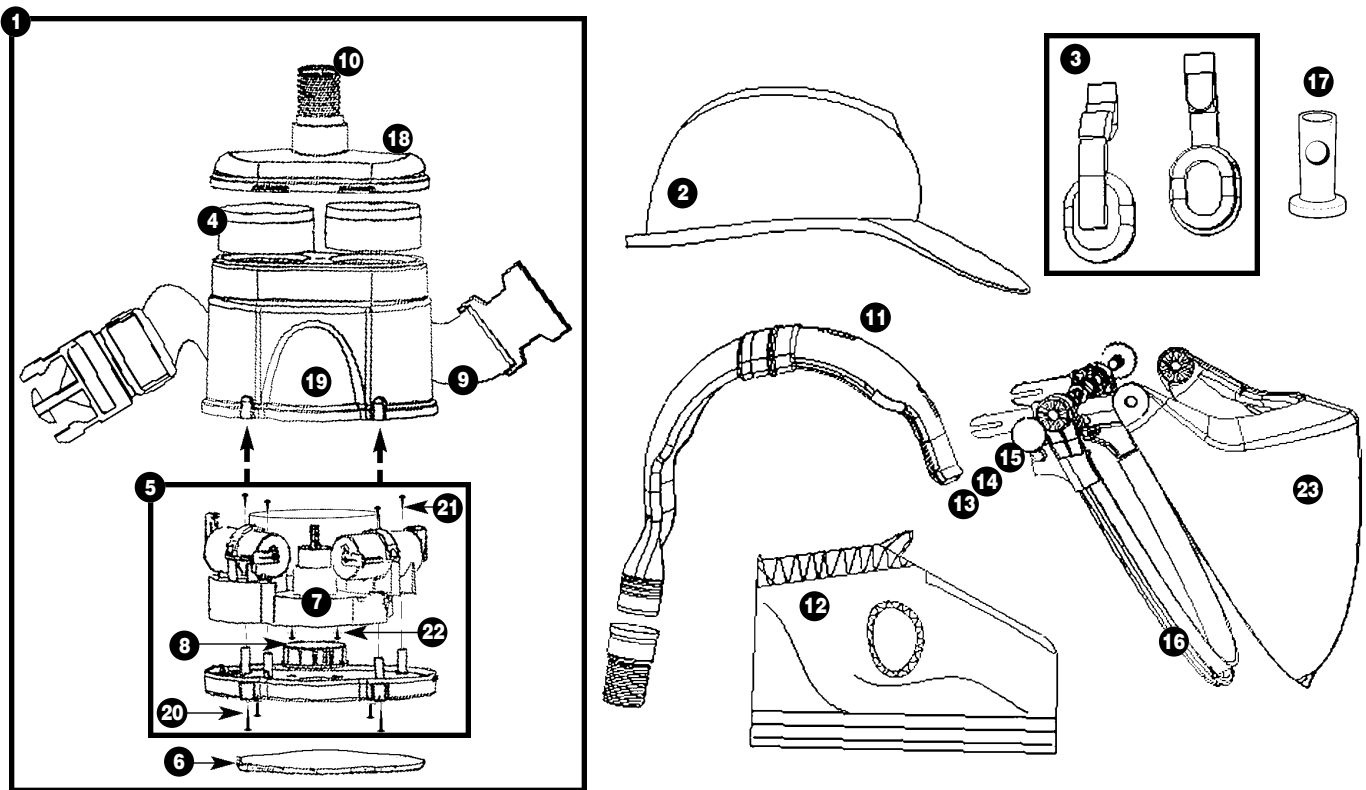


# Powered Respirator - PRA001

Introduced July 2003



Diag. Ref.	Part No.	Description	Qty Supplied as Spare Part	Comments
-	PRA021	Product Carton	1	
-	PRA022	Instruction Manual	1	
1	PRA030	Power module / filter unit	1	(PRA002 + filters)
2	PRA004	Hard Hat	1	
3	PRA005	Ear Muffs	2	
4	PRA006	Filter Cartridge	1	
5	PRA008	Power Module	1	
6	PRA009	Pre-filter	1	
7	PRA010	Motor	1	
8	PRA011	Fan	1	
9	PRA012	Waist Belt with Buckles	1	
10	PRA013	Hose	1	
11	PRA014	Overhead air duct	1	
12	PRA029	Shroud	1	
13	PRA016	Visor Bolt	1	
14	PRA017	Visor Spring	1	
15	PRA018	Visor Nut	1	
16	PRA019	Visor Pivot Mount	1	
17	PRA020	Flow Meter	1	
18	PRA024	Air Filter Cover	1	
19	PRA025	Air Filter Housing	1	
20	PRA026	Main Housing Screw	1	
21	PRA027	Fan Base Screw	1	
22	PRA028	Motor / Screw Washer	1	
23	PRA015	Visor	1	
-	PRA051	Hose Clamp	1	
-	PRA023	AC Adaptor	1	

## Specifications:

Packed weight: 3.6kg

Pack Size: 290 x 290 x 330mm

Volume: 0.028m<sup>3</sup>